

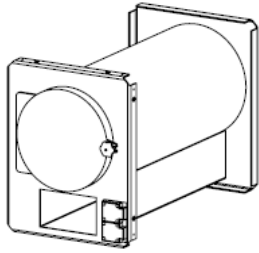
EZ-Charge™ Fire Safe

Assembly & Installation Instructions



KINETIC

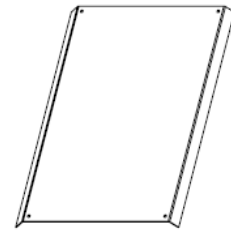
Parts List



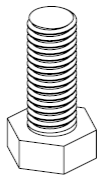
A: EZ-Charge™ Fire Safe



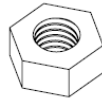
B: Side panel



C: Top panel



D: Bolt M8x20



E: Nut M8



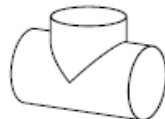
F: Washer M8



G: Bolt M4x12



H: Pipe 90°



I: Pipe T-Junction



J: Pipe Connector

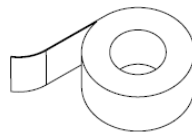


K: Pipe

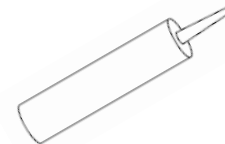
OPTIONAL SMOKE EXHAUST



L: Self tapping screw



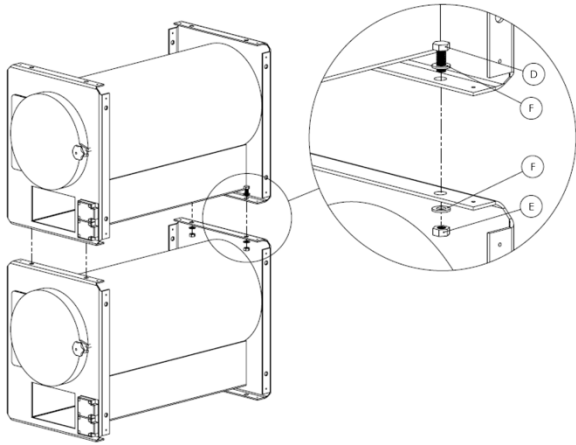
M: Aluminium tape



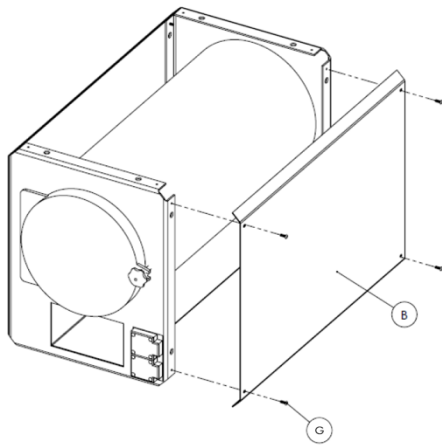
N: Hybrifix

Connecting & Mounting

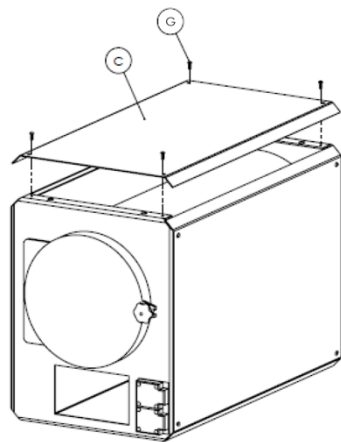
- 1** Connect EZ-Charge™ Fire Safe Cylinders / STANDARD: 4 max. / XL: 3 max.



- 2** Mount side panels



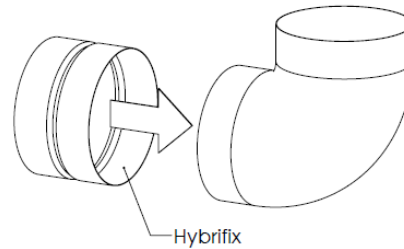
- 3** Mount top panel



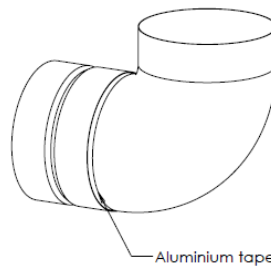
Assembling Smoke Exhaust

4 Mount Exhaust System

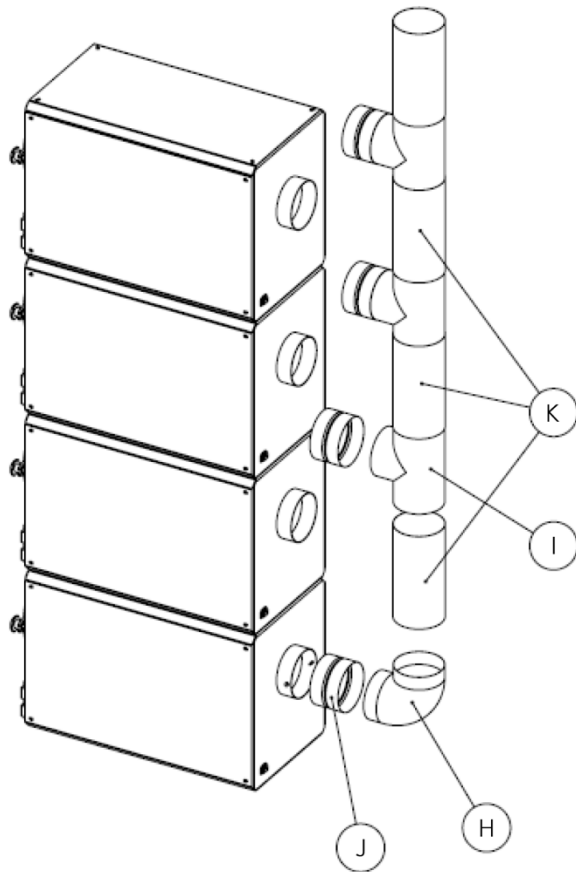
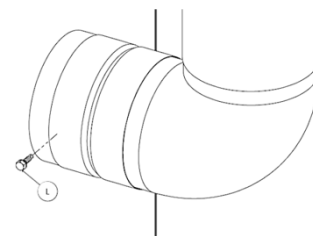
4a. Apply Hybrifix between all connections



4b. Apply aluminium tape to all connections



4c. Mount pipe to EZ-Charge™ Fire Safe with Self-Tapping Screws



5 Connect pipes (K) to your ventilation system

6 Plug power cable into the EZ-Charge™ Fire Safe

BatteryBox* is a registered trademark of Lo Minck Mobility BV, Lissbroek, The Netherlands, and is sold under license as EZ-Charge™ Fire Safe by Kinetic Parking Solutions, the North American Distribution and Reseller Partner for Lo Minck Mobility BV.

* U.S. Patent Application No. US 2024/0429549 – Patent Pending, European Patents: EP4356467, NL2028461