

Authorized Reseller

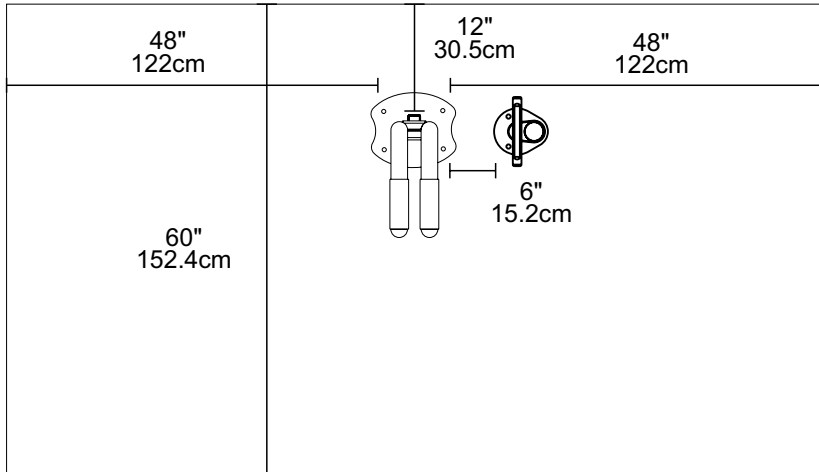


The Public Work Stand puts the tools where the people need them – on the trails, near the streets and in the bike rooms. With nine common bicycle tools permanently tethered to a bike holder and designed to be placed either inside or outside, the Public Work Stand will meet the spur-of-the-moment maintenance and repair needs that keep riders on their ride.

Product Specifications

- Universal bike mounting – hang by seat or top tube
- Nine common bicycle tools tethered by stainless steel aircraft cable
- Unique I-beam design eliminates possibility of locking a bike to the station
- ADA-compliant design
- QR code link to maintenance instructions for viewing from smart phone
- Installation hardware included

Drawings are for informational purposes only. While correct at the time of design, Kinetic Parking Solutions, Inc. must confirm their accuracy prior to submission.



The minimum space requirements for High Security Bike Pumps are meant to allow a cyclist and their bike access to the pump.

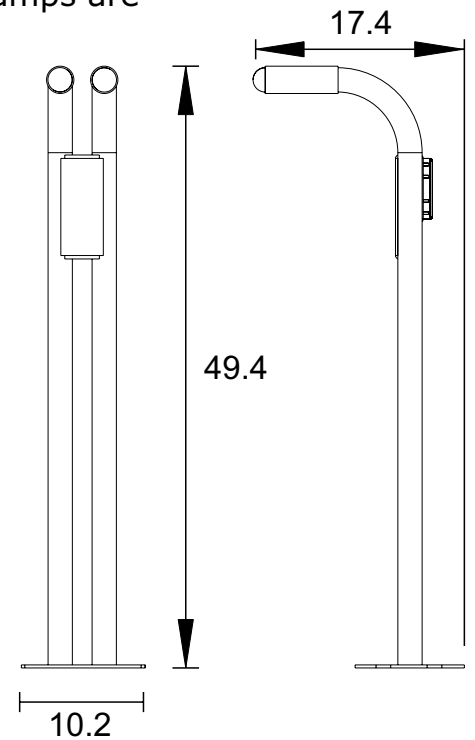
Site Layout

- Minimum of 48" from side of Public Work Stand to wall or other objects
- Minimum of 12" from back of Public Work Stand to wall
- Minimum of 6" between Public Work Stand and Pump
- Minimum of 60" from perpendicular street
- Minimum of 96" from parallel street

Tools Included



- Philips & standard screwdrivers
- Steel core tire levers (2)
- Headset/pedal wrench
- 8/10mm cone wrench
- 9/11mm cone wrench
- Torx T-25
- Hex key set



MADE IN THE USA

Dimensions						
Model #	Description	Type of Mount	Weight	Length	Width	Height
26302C	Powder Coat	Flange	43 lbs.	8.5"	16"	49.5"
26302G	Galvanizerd	Flange	43 lbs.	8.5"	16"	49.5"
26302S	Stainless Steel	Flange	43 lbs.	8.5"	16"	49.5"

Authorized Reseller



Drawings are for informational purposes only. While correct at the time of design, Kinetic Parking Solutions, Inc. must confirm their accuracy prior to submission.