

KINETIC

Parking Solutions Inc.

solutions@kineticbikeparking.com
1-800-818-2373

PRODUCT SPECIFICATIONS

Thick-walled DOM Tubing,
TIG Welded

Universal bike mounting
hang by seat or top tube

Includes 9 common tools
steel aircraft cable

ADA Compliant design
QR code link to repair maintenance
Installation Hardware included

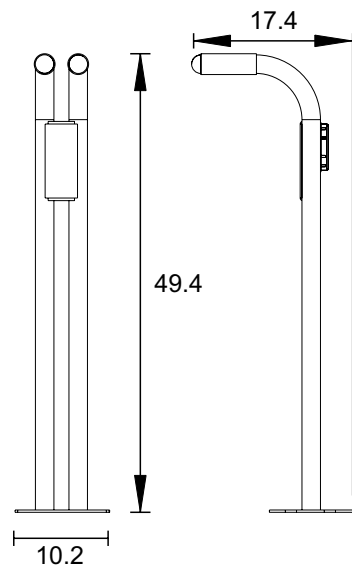
FINISHES

- POWDER COATED
- GALVANIZED
- STAINLESS STEEL

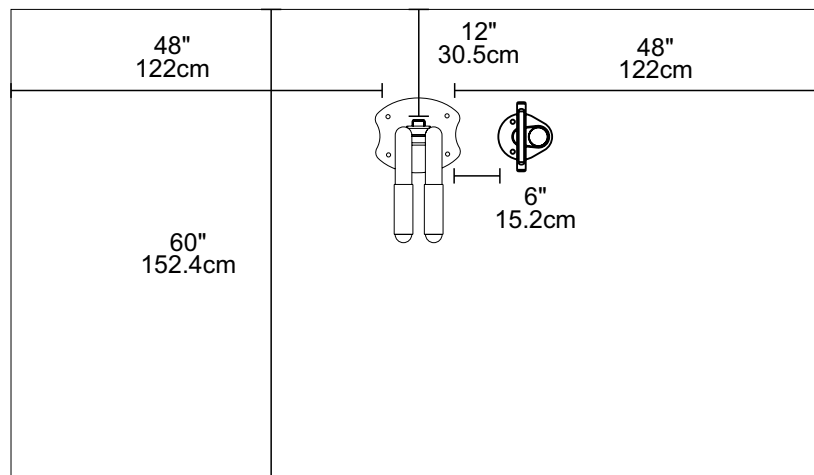
OPTIONAL

- 18" Braided Steel Hose
- 35" Braided Steel Hose

MADE IN THE USA



KINETIC - Custom
Ultimate Bike Repair Stand
Product Code: KPS - BR



Dimensions						
Model #	Description	Type of Mount	Weight	Length	Width	Height
26302C	Powder Coat	Flange	43 lbs.	8.5"	16"	49.5"
26302G	Galvanizerd	Flange	43 lbs.	8.5"	16"	49.5"
26302S	Stainless Steel	Flange	43 lbs.	8.5"	16"	49.5"

Drawings are for information purposes only and while accurate at the time of creation, Kinetic Parking Solutions, Inc. must confirm its accuracy prior to submission.

www.kineticbikeparking.com
Copyright Kinetic Parking Solutions, Inc.