

# KINETIC

## Parking Solutions Inc.

solutions@kineticbikeparking.com  
1-800-818-2373

KINETIC - Custom  
Ultimate Bike Pump (Outdoor w/ gauge)  
Product Code: KPS - BPO

### PRODUCT SPECIFICATIONS

Stainless Steel construction

Proprietary Piston Seal  
Smash Proof Pressure  
Gauge Vandalism

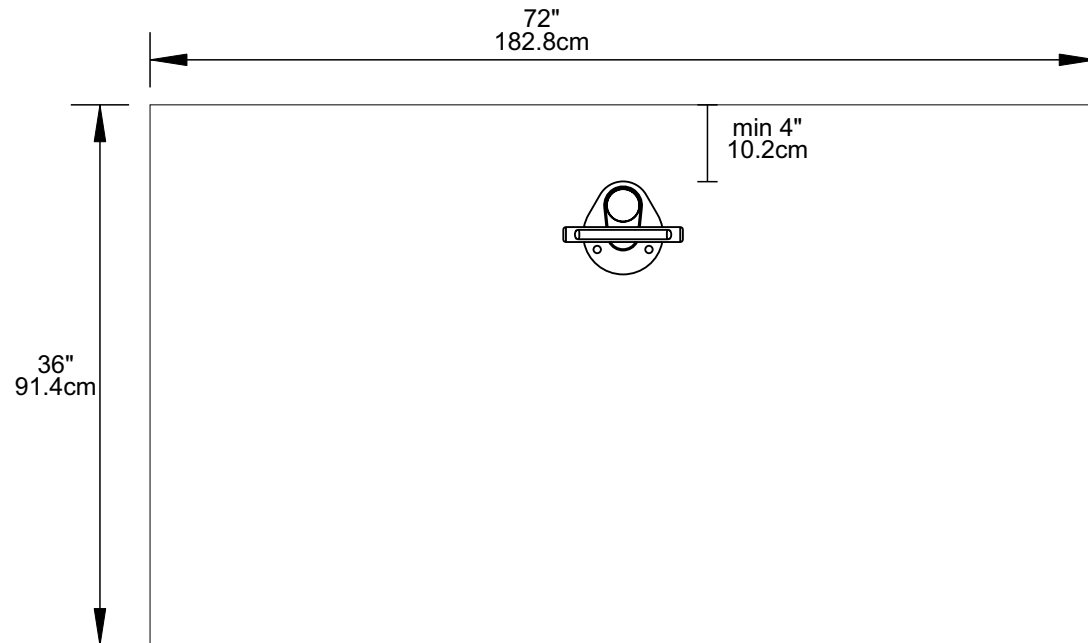
Includes Presta and Schrader  
Pump Heads

### FINISHES

- Stainless Steel
- Powder Coated

### OPTIONAL

- 35" Steel braided hos



The minimum space requirements for High Security Bike Pumps are meant to allow a cyclist and their bike access to the pump.

Dimensions						
Model #	Description	Type of Mount	Weight	Length	Width	Height
26240	Short Hose	Floor	20 lbs.	8"	8"	30"
26246	Long Hose	Floor	20 lbs.	8"	8"	30"
26242	Long Hose	Repair Stand	20 lbs.	8"	8"	30"

MADE IN THE USA

Drawings are for information purposes only and while accurate at the time of creation, Kinetic Parking Solutions, Inc. must confirm its accuracy prior to submission.

[www.kineticbikeparking.com](http://www.kineticbikeparking.com)  
Copyright Kinetic Parking Solutions, Inc.