

Bikeair/Bikerepair

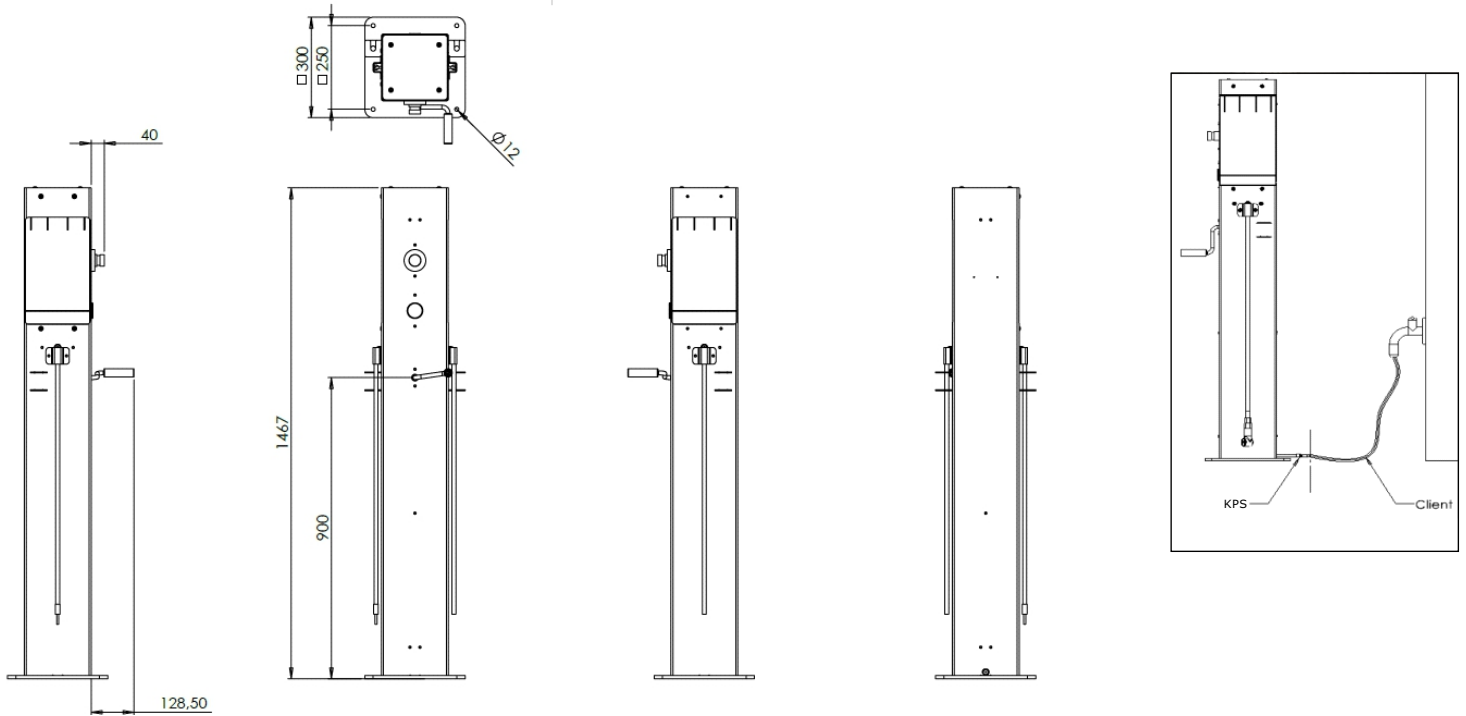


This is the leading European Designed All in One Bike Service Station that functions as a Repair, Pump and Wash Station. Made of high-quality stainless steel and available in any desired color. The standard model comes standard with 8 basic tools and shows off a unique, vandal proof rotating bicycle pump.

Product Specifications

- European / Dutch Proven Design
- Rotating Hand Crank Pump
- Vandal Proof
- Serves any valve head
- 8-12 Tools

Drawings are for informational purposes only. While correct at the time of design, Kinetic Parking Solutions, Inc. must confirm their accuracy prior to submission.



MATERIALS

Stainless steel (304)
 Weight: 79.5 lbs (36.0 kg) | (includes wash station)

DIMENSIONS

77.87" (200 mm) x 7.87" (200 mm) x 57.48" (1458 mm)
 Bottom Plate: 11.81" (300mm) x 11.81" (300mm)

FINISHES

Powder Coated

ADJUSTABLE PUMP HEAD FOR

Presta, Schrader and Dunlop valves

TOOL INCLUDED

- Flathead Screwdriver
- Phillips Screwdriver
- Adjustable Wrench
- Open Wrench (8-10, 13-15)
- Hex Key Set (various)
- Tire Levers (2x)

Drawings are for informational purposes only. While correct at the time of design, Kinetic Parking Solutions, Inc. must confirm their accuracy prior to submission.