



Bike*air*/Bike*repair*

European Engineered, robust and unique

All In One

Bicycle pump, bicycle repair and wash station

solutions@kineticbikeparking.com

1-800-866-824-9590

BikeRepair

OVERVIEW:

- Dutch Proven Design
- Rotating vandalism-proof pump
- Adjustable Pump for all leading industry valve heads
- Tools are managed through tamper proof pulley mechanism
- 8 - 12 Tools
- Optional: Horizontal Bars
- Optional: Wash Station (Grohe brand)



KINETIC
Parking Solutions Inc.

BikeRepair

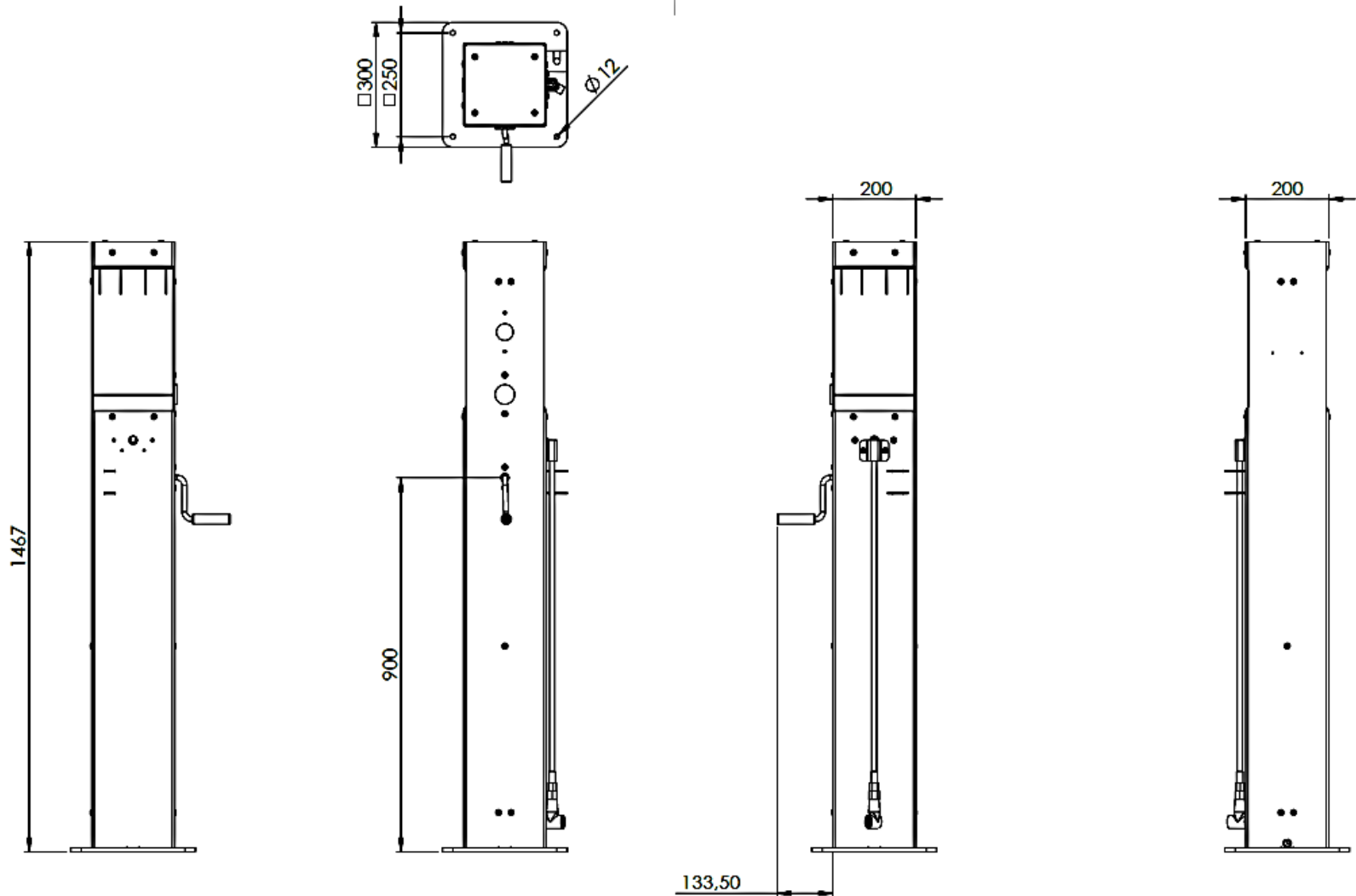
MANUFACTURING SPECIFICATIONS:

- Dimensions (DxWxH):
 - 7.87" x 7.87" x 57.48" (200x200x1460mm)
- Bottom Plate:
 - 300x300mm
- Material:
 - Stainless steel (304)
- Surface protection:
 - Powder Coated
- Weight:
 - 34.0 kg, with wash station: 36.0 kg
- Adjustable Pump Head for:
 - Presta, Schrader and Dunlop valves
- Tools (8x):
 - Flathead Screwdriver
 - Phillips Screwdriver
 - Adjustable Wrench
 - Open Wrench (8-10, 13-15)
 - Hex Key Set (various)
 - Tire Levers (2x)



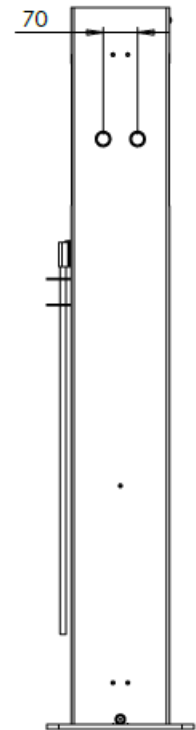
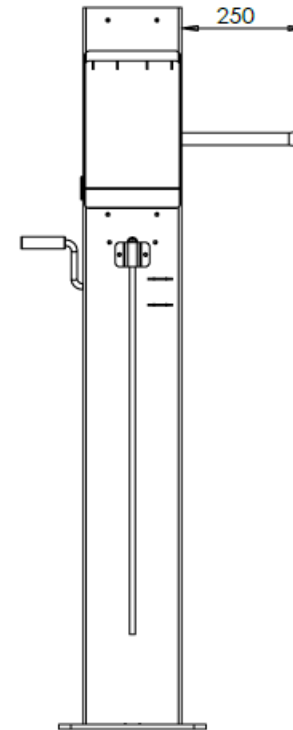
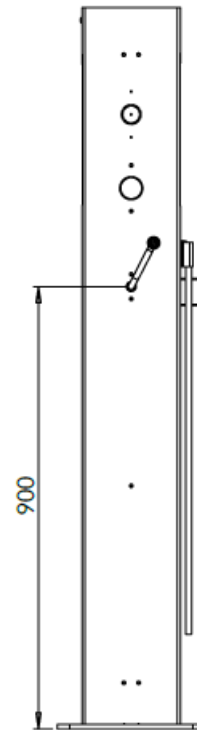
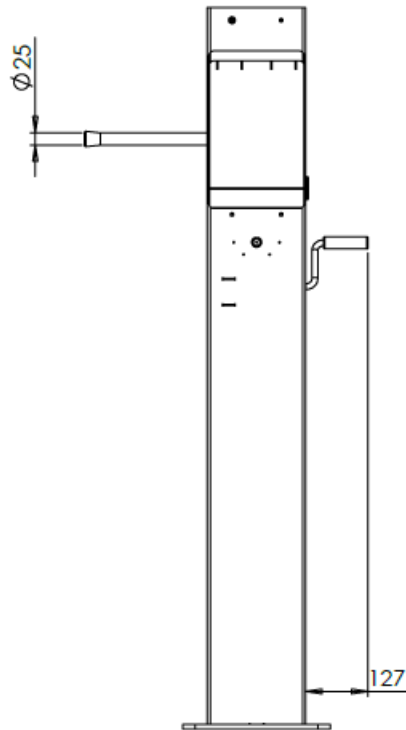
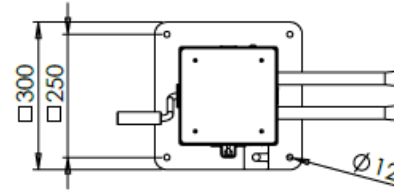
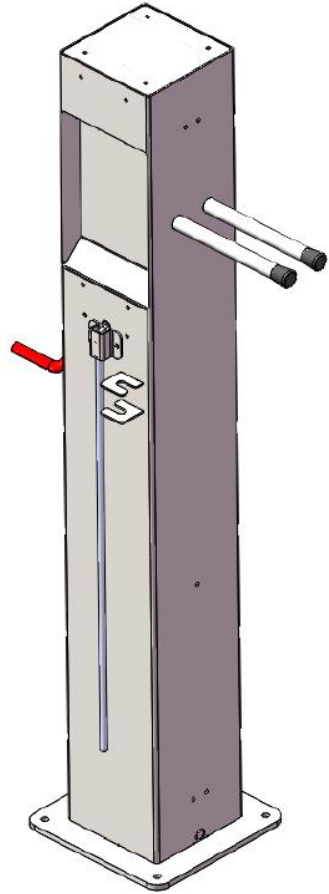
KINETIC
Parking Solutions Inc.

Standard Version



BikeRepair

Standard version with horizontal bars for easy access



Standard version with integrated washing station

