

# KINETIC

Parking Solutions Inc.

solutions@kineticbikeparking.com  
1-800-818-2373

## MATERIALS

Round Steel Pipe  
2 3/8" OD (Ø60.3 mm)  
Thickness: 0.154" (3.91 mm)  
Weight: 66.74 lbs. (30.3 kg)

## FINISHES

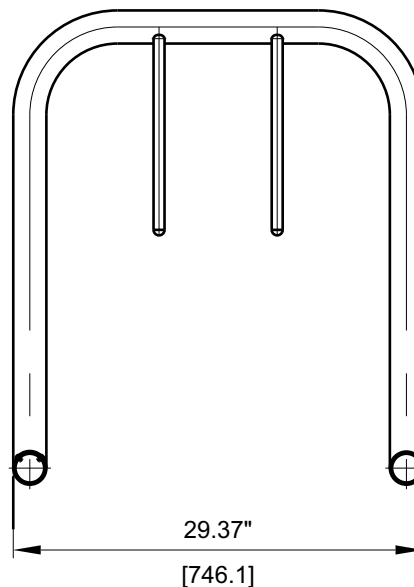
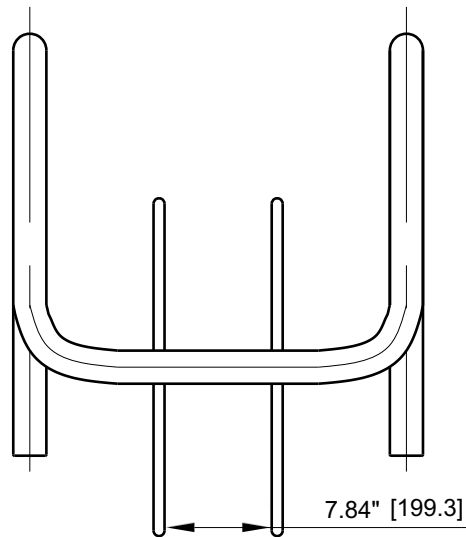
- Powder Coated
- Galvanized
- Stainless

## OPTIONAL

- Tamper-proof nuts

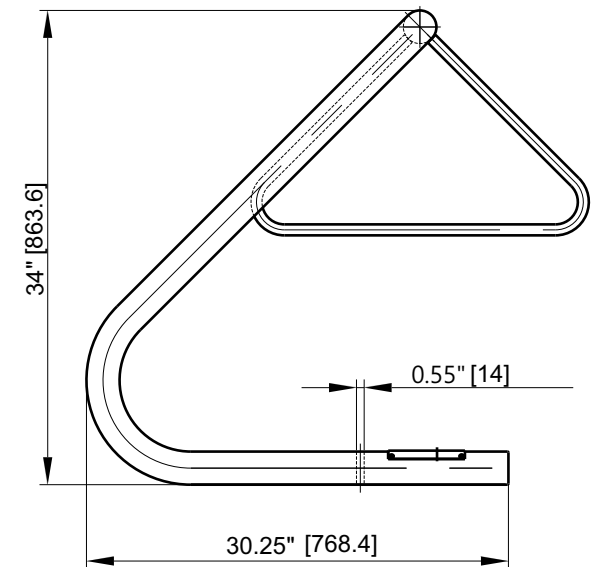
## SPACING REQUIREMENTS

For details and recommendations on clearance and aisle width please refer to our Bicycle Parking Guide and local regulations and guidelines.



KINETIC - Standard  
2x Triangular Hanger Rack  
PRODUCT CODE: KP-TriangleX2

Capacity 3-5 Bikes



Drawings are for informational purposes only. While correct at the time of design, Kinetic Parking Solutions, Inc. must confirm their accuracy prior to submission.

[www.kineticbikeparking.com](http://www.kineticbikeparking.com)

© 2020 Kinetic Parking Solutions, Inc. All rights reserved.

## MATERIALS

Round Steel Pipe  
2 3/8" OD (Ø60.3mm)  
Thickness: 0.154" (3.91mm)  
Weight: 81.50 lbs. (37 kg)

## FINISHES

- Powder Coated
- Galvanized
- Stainless

## OPTIONAL

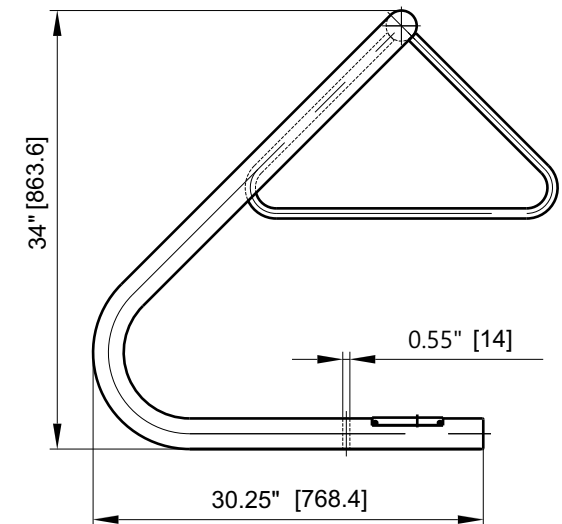
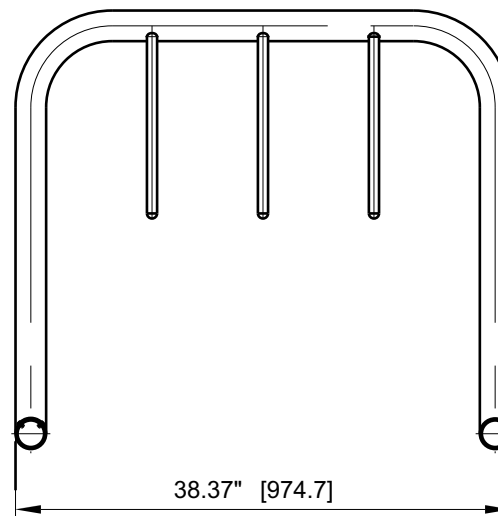
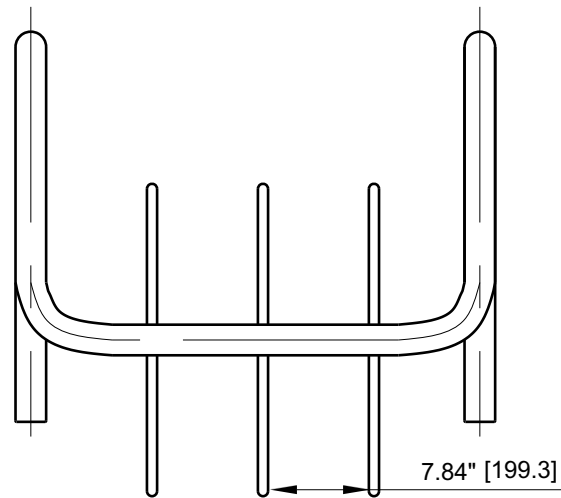
- Tamper-proof nuts

## SPACING REQUIREMENTS

For details and recommendations on clearance and aisle width please refer to our Bicycle Parking Guide and local regulations and guidelines.

KINETIC - Standard  
3x Triangular Hanger Rack  
PRODUCT CODE: KP-TriangleX3

Capacity 4-6 Bikes



Drawings are for informational purposes only. While correct at the time of design, Kinetic Parking Solutions, Inc. must confirm their accuracy prior to submission.

## MATERIALS

Round Steel Pipe  
2 3/8" OD (Ø60.3 mm)  
Thickness: 0.154" (3.91 mm)  
Weight: 92.95 lbs. (42.2 kg)

## FINISHES

- Powder Coated
- Galvanized
- Stainless

## OPTIONAL

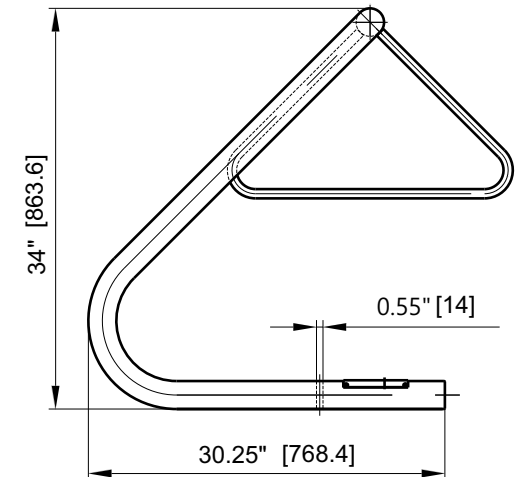
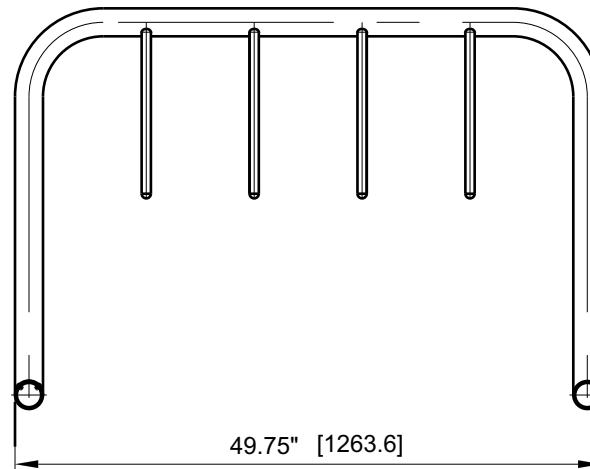
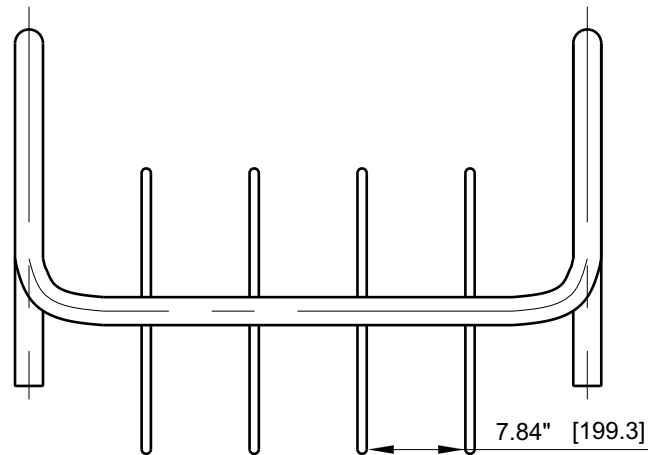
- Tamper-proof nuts

## SPACING REQUIREMENTS

For details and recommendations on clearance and aisle width please refer to our Bicycle Parking Guide and local regulations and guidelines.

KINETIC - Standard  
4x Triangular Hanger Rack  
PRODUCT CODE: KP-TriangleX4

Capacity 5-7 Bikes



Drawings are for informational purposes only. While correct at the time of design, Kinetic Parking Solutions, Inc. must confirm their accuracy prior to submission.

## MATERIALS

Round Steel Pipe  
2 3/8" OD (Ø60.3 mm)  
Thickness: 0.154" (3.91 mm)  
Weight: 130.62 lbs. (59.3 kg)

## FINISHES

- Powder Coated
- Galvanized
- Stainless

## OPTIONAL

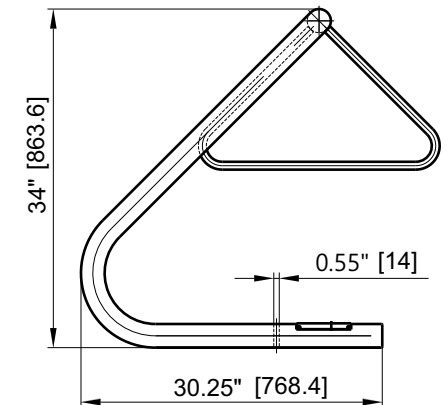
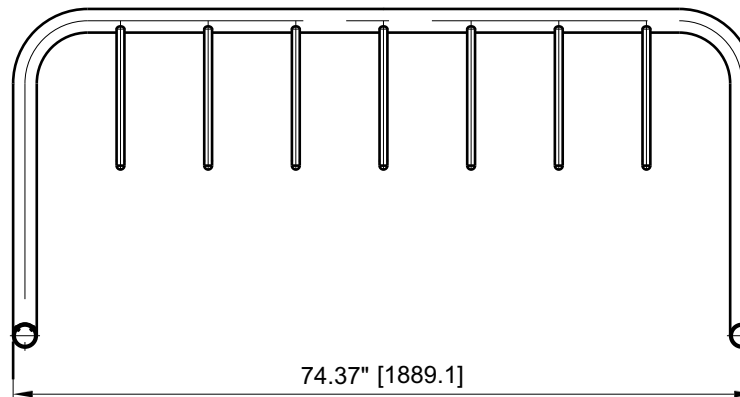
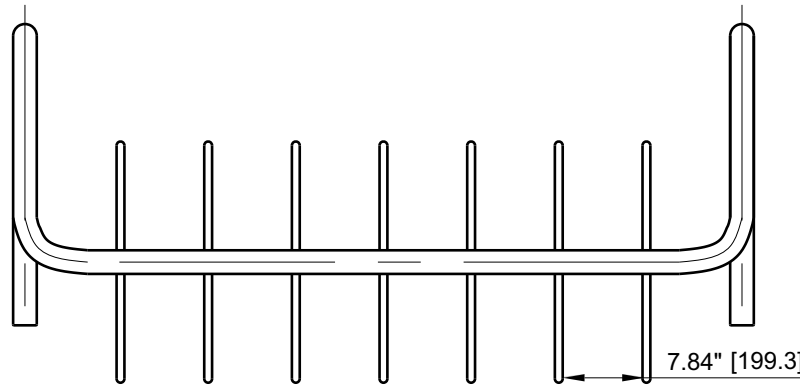
- Tamper-proof nuts

## SPACING REQUIREMENTS

For details and recommendations on clearance and aisle width please refer to our Bicycle Parking Guide and local regulations and guidelines.

KINETIC - Standard  
7x Triangular Hanger Rack  
PRODUCT CODE: KP-TriangleX7

Capacity 7-10 Bikes



Drawings are for informational purposes only. While correct at the time of design, Kinetic Parking Solutions, Inc. must confirm their accuracy prior to submission.