

Capacity 2 Bikes

MATERIALS

Round Steel Pipe
2 3/8" OD (Ø60.3 mm)
Thickness: 0.154" (3.91 mm)
Weight: 33.46 lbs. (15.18 kg)

FINISHES

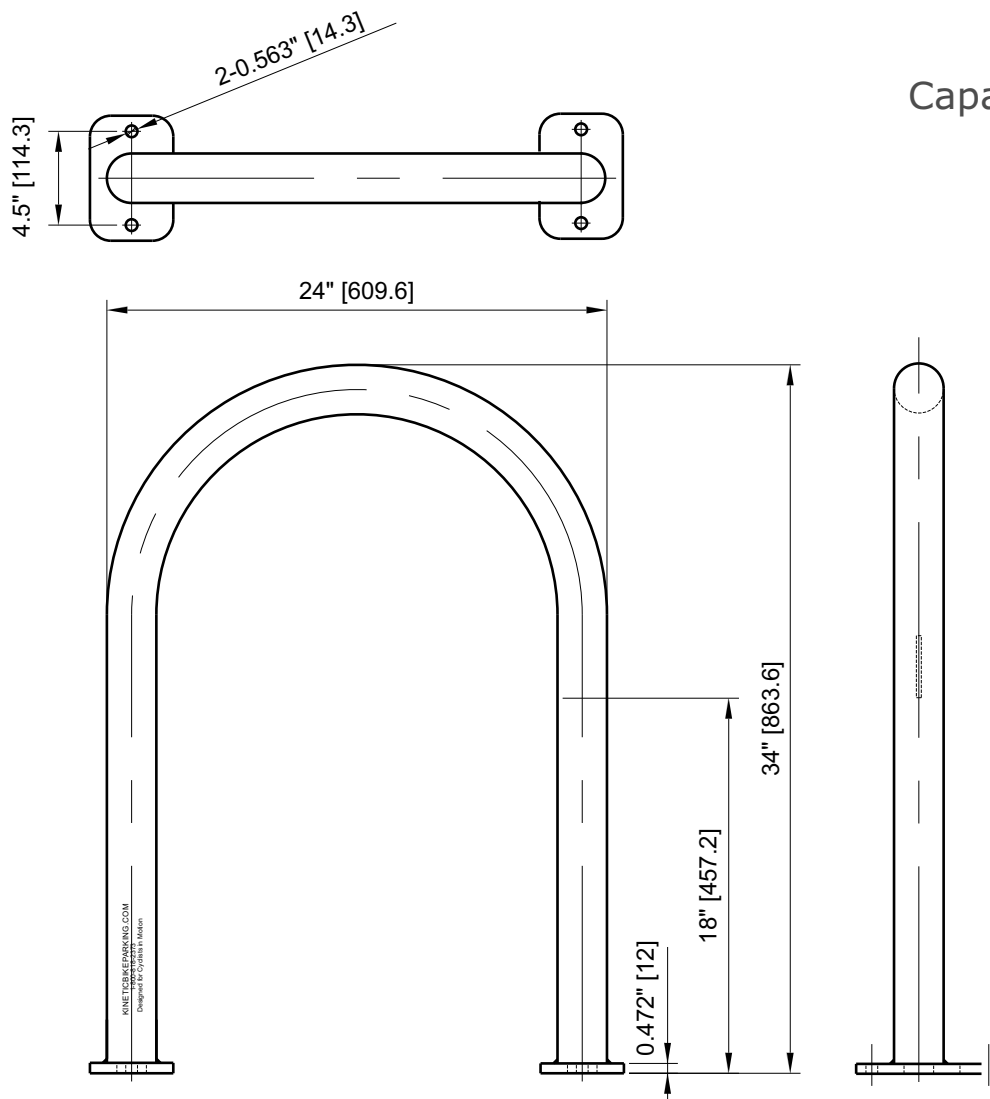
- Powder Coated
- Galvanized
- Stainless

OPTIONAL

- Tamper-proof nuts

SPACING REQUIREMENTS

For details and recommendations on clearance and aisle width please refer to our Bicycle Parking Guide and local regulations and guidelines.



Drawings are for informational purposes only. While correct at the time of design, Kinetic Parking Solutions, Inc. must confirm their accuracy prior to submission.

MATERIALS

Round Steel Pipe
2 3/8" OD (Ø60.3 mm)
Thickness: 0.154" (3.91 mm)
Weight: 35.46 lbs. (16.1 kg)

FINISHES

- Powder Coated
- Galvanized
- Stainless

OPTIONAL

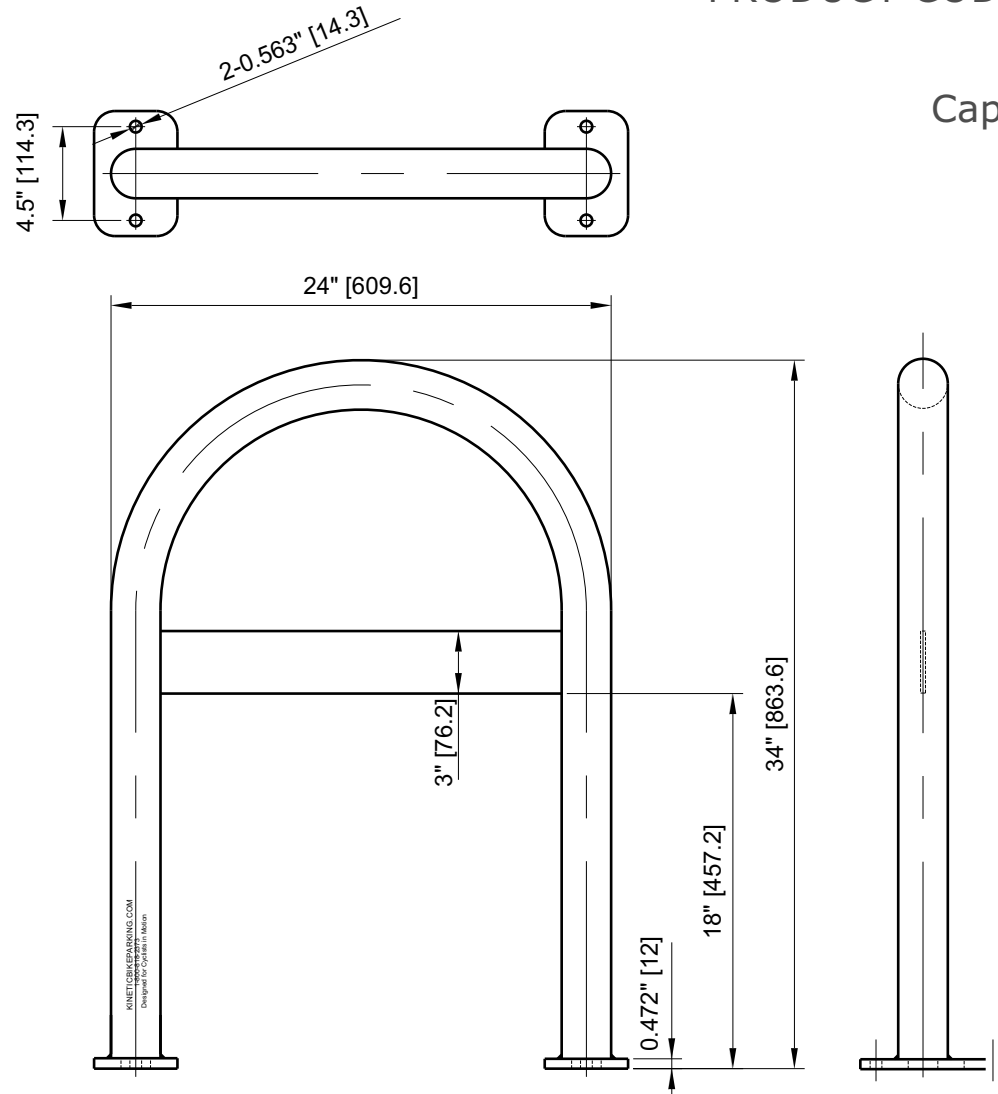
- Tamper-proof nuts

SPACING REQUIREMENTS

For details and recommendations on clearance and aisle width please refer to our Bicycle Parking Guide and local regulations and guidelines.

KINETIC - Standard
Heavy Duty Staple Rack
PRODUCT CODE: KP-Staple

Capacity 2 Bikes



Drawings are for informational purposes only. While correct at the time of design, Kinetic Parking Solutions, Inc. must confirm their accuracy prior to submission.

MATERIALS

Square Steel Tube
1.97" x 1.97" (50 mm x 50 mm)
Thickness: 0.189" (4.8 mm)
Weight: 35.24 lbs. (16.0 kg)

FINISHES

- Powder Coated
- Galvanized
- Stainless

OPTIONAL

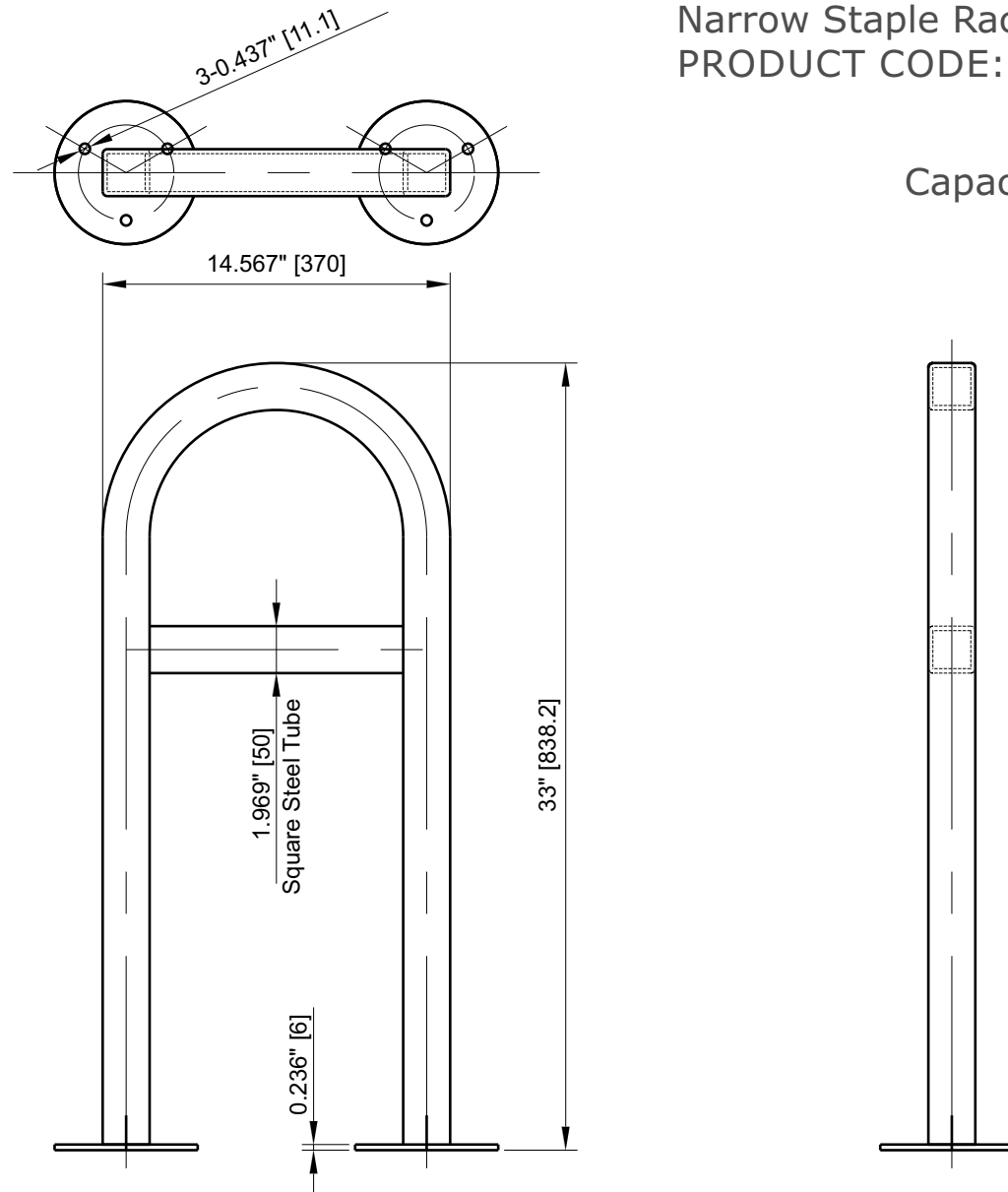
- Tamper-proof nuts

SPACING REQUIREMENTS

For details and recommendations on clearance and aisle width please refer to our Bicycle Parking Guide and local regulations and guidelines.

KINETIC - Standard
Narrow Staple Rack
PRODUCT CODE: KP-Narrow

Capacity 2 Bikes



Drawings are for informational purposes only. While correct at the time of design, Kinetic Parking Solutions, Inc. must confirm their accuracy prior to submission.

MATERIALS

Square Steel Tube
1.97" x 1.97" (50 mm x 50 mm)
Thickness: 0.189" (4.8 mm)
Weight: 34.17 lbs. (15.5 kg)

FINISHES

- Powder Coated
- Galvanized
- Stainless

OPTIONAL

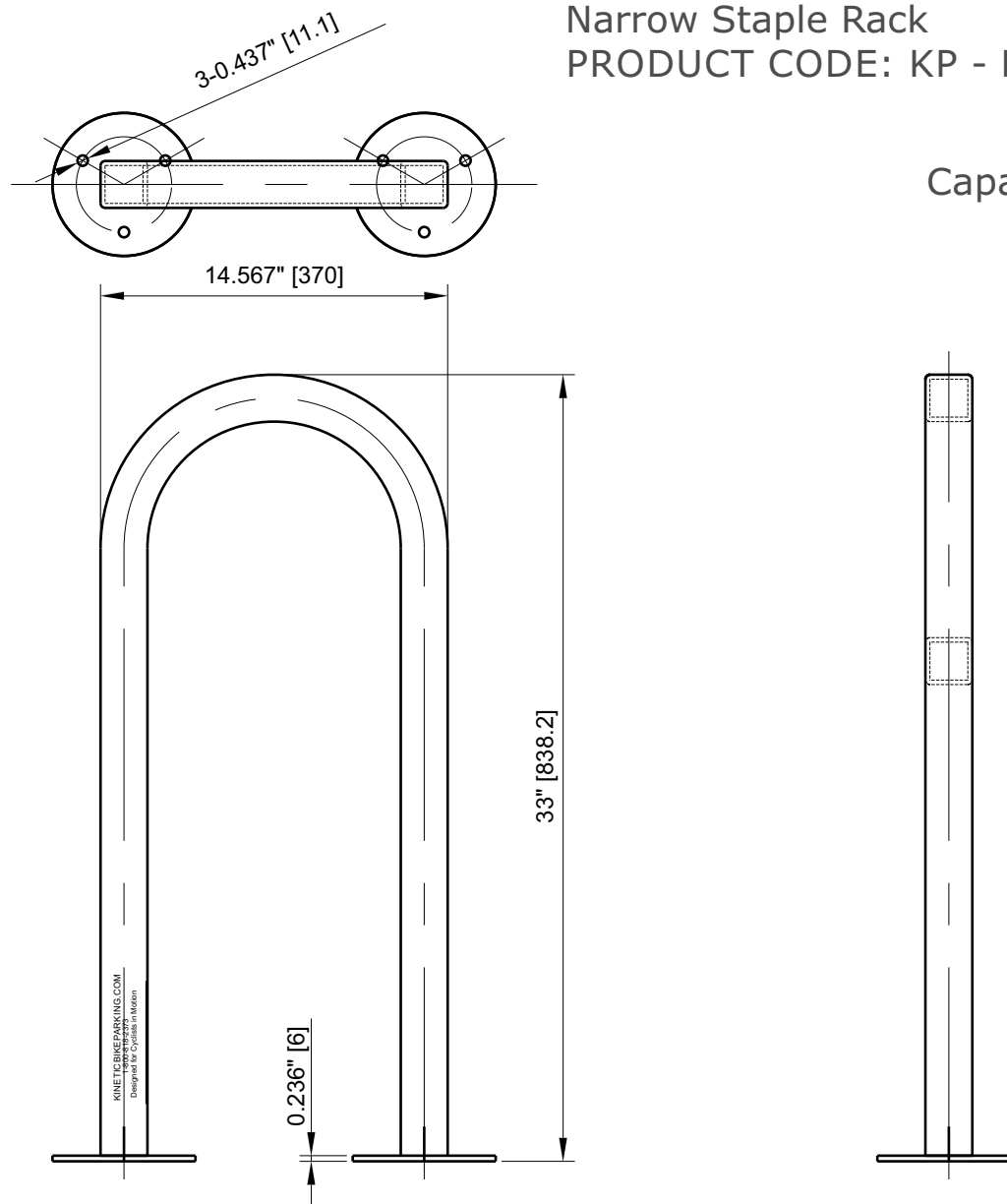
- Tamper-proof nuts

SPACING REQUIREMENTS

For details and recommendations on clearance and aisle width please refer to our Bicycle Parking Guide and local regulations and guidelines.

KINETIC - Standard
Narrow Staple Rack
PRODUCT CODE: KP - Narrow - NX

Capacity 2 Bikes



Drawings are for informational purposes only. While correct at the time of design, Kinetic Parking Solutions, Inc. must confirm their accuracy prior to submission.

Capacity 2 Bikes

MATERIALS

Round Steel Pipe
1.9" OD (Ø48.26 mm)
Thickness: 0.145" (3.68 mm)
Weight: 26.46 lbs. (12.0 kg)

FINISHES

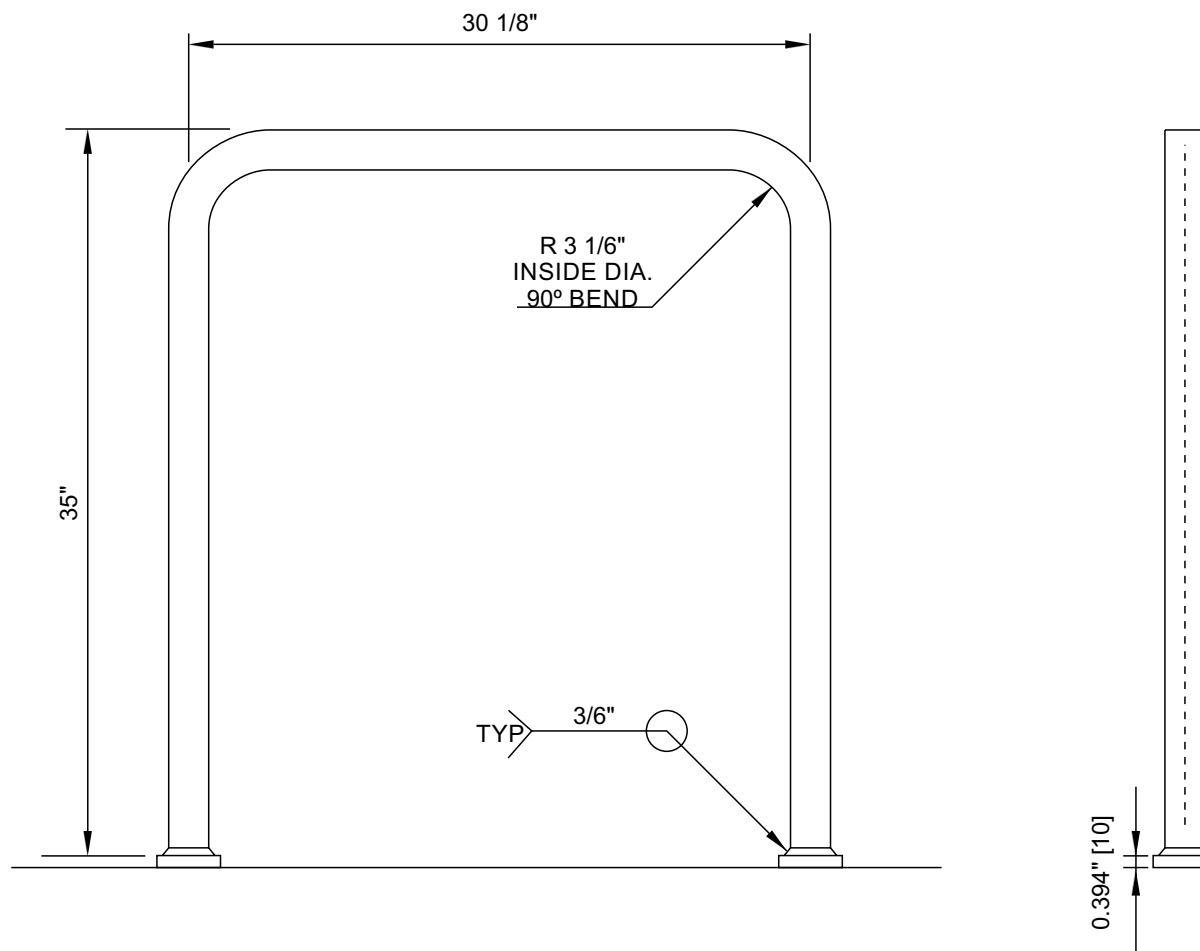
- Powder Coated
- Galvanized
- Stainless

OPTIONAL

- Square Steel Tube
1.97" x 1.97" (50 mm. x 50 mm)
Thickness: 0.189" (4.8 mm)
Weight: 35.24 lbs. (16.0 kg)

SPACING REQUIREMENTS

For details and recommendations on clearance and aisle width please refer to our Bicycle Parking Guide and local regulations and guidelines.



Drawings are for informational purposes only. While correct at the time of design, Kinetic Parking Solutions, Inc. must confirm their accuracy prior to submission.

Capacity 2 Bikes

MATERIALS

Round Steel Pipe
1.9" OD (Ø48.26 mm)
Thickness: 0.145" (3.68 mm)
Weight: 30.86 lbs. (14.0 kg)

FINISHES

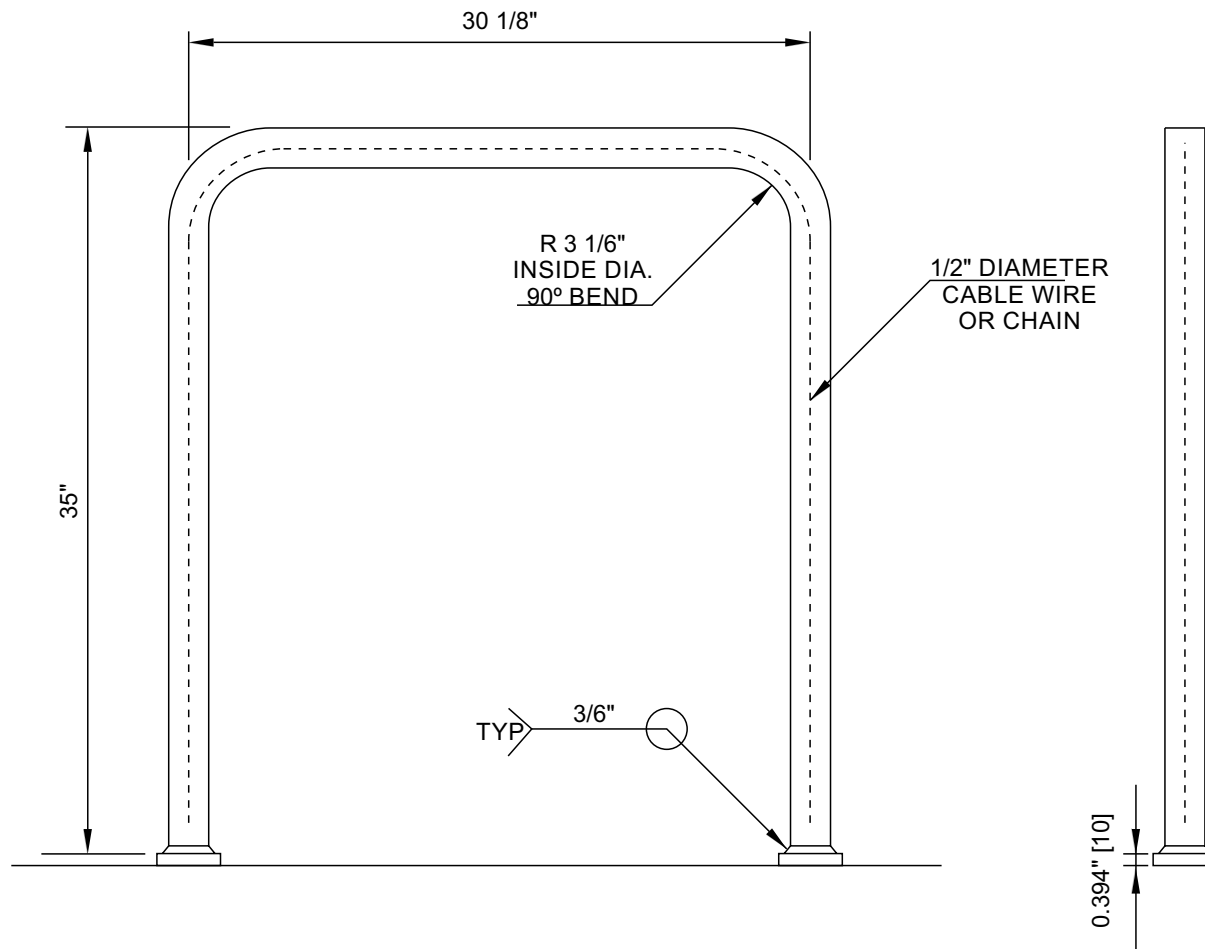
- Powder Coated
- Galvanized
- Stainless

OPTIONAL

- Square Steel Tube
1.97" x 1.97" (50 mm x 50 mm)
Thickness: 0.189" (4.8 mm)
Weight: 35.24 lbs. (16.0 kg)

SPACING REQUIREMENTS

For details and recommendations on clearance and aisle width please refer to our Bicycle Parking Guide and local regulations and guidelines.



Drawings are for informational purposes only. While correct at the time of design, Kinetic Parking Solutions, Inc. must confirm their accuracy prior to submission.

Capacity 2 Bikes

MATERIALS

Round Steel Pipe
1.9" OD (Ø48.26 mm)
Thickness: 0.145" (3.68 mm)
Weight: 30.86 lbs. (14.0 kg)

FINISHES

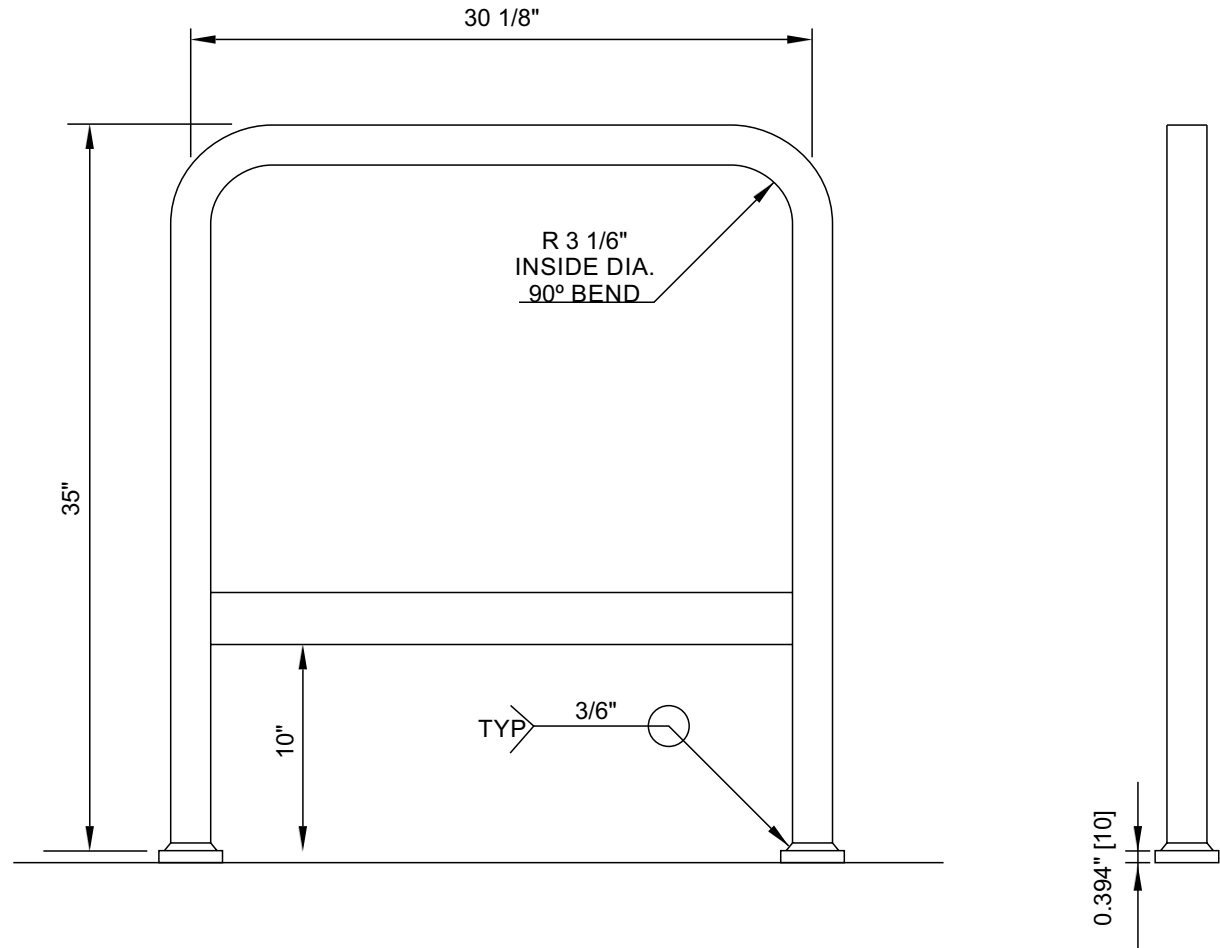
- Powder Coated
- Galvanized
- Stainless

OPTIONAL

- Square Steel Tube
1.97" x 1.97" (50 mm x 50 mm)
Thickness: 0.189" (4.8 mm)
Weight: 35.24 lbs. (16.0 kg)

SPACING REQUIREMENTS

For details and recommendations on clearance and aisle width please refer to our Bicycle Parking Guide and local regulations and guidelines.



Drawings are for informational purposes only. While correct at the time of design, Kinetic Parking Solutions, Inc. must confirm their accuracy prior to submission.

Capacity 2 Bikes

MATERIALS

Round Steel Pipe
1.9" OD (Ø48.26 mm)
Thickness: 0.145" (3.68 mm)
Weight: 35.49 lbs. (16.1 kg)

FINISHES

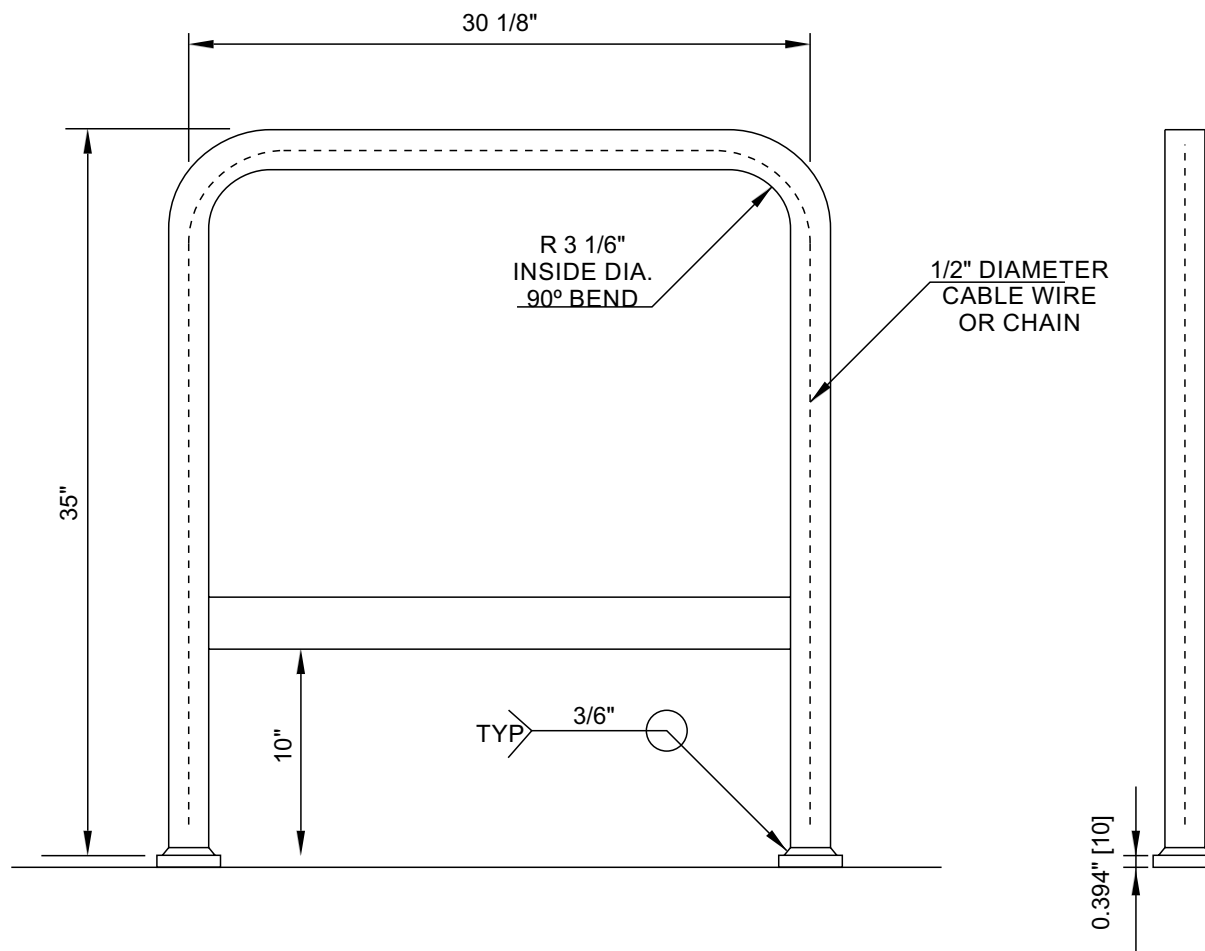
- Powder Coated
- Galvanized
- Stainless

OPTIONAL

- Square Steel Tube
1.97" x 1.97" (50 mm x 50 mm)
Thickness: 0.189" (4.8 mm)
Weight: 35.24 lbs. (16.0 kg)

SPACING REQUIREMENTS

For details and recommendations on clearance and aisle width please refer to our Bicycle Parking Guide and local regulations and guidelines.



Drawings are for informational purposes only. While correct at the time of design, Kinetic Parking Solutions, Inc. must confirm their accuracy prior to submission.