

MATERIALS

Round Steel Pipe
2 3/8" OD (Ø60.3 mm)
Thickness: 0.154" (3.91 mm)
Weight: 35.46 lbs. (16.1 kg)

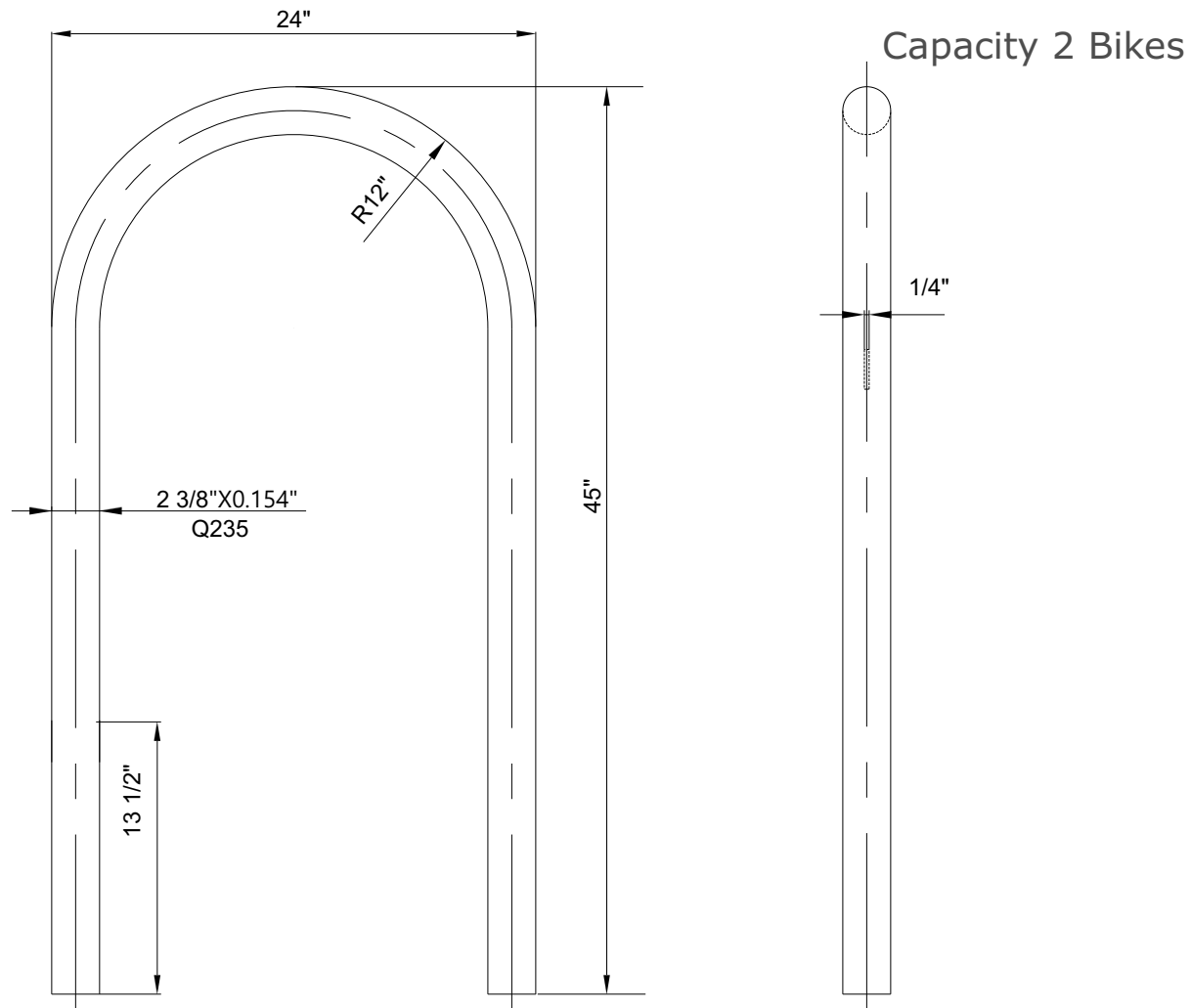
FINISHES

- Powder Coated
- Galvanized
- Stainless

SPACING REQUIREMENTS

For details and recommendations on clearance and aisle width please refer to our Bicycle Parking Guide and local regulations and guidelines.

KINETIC - Standard
Inverted U Rack Embedded
PRODUCT CODE: KP-Staple-EMB



Drawings are for informational purposes only. While correct at the time of design, Kinetic Parking Solutions, Inc. must confirm their accuracy prior to submission.

MATERIALS

Round Steel Pipe
2 3/8" OD (Ø60.3 mm)
Thickness: 0.154" (3.91 mm)
Weight: 35.46 lbs. (16.1 kg)

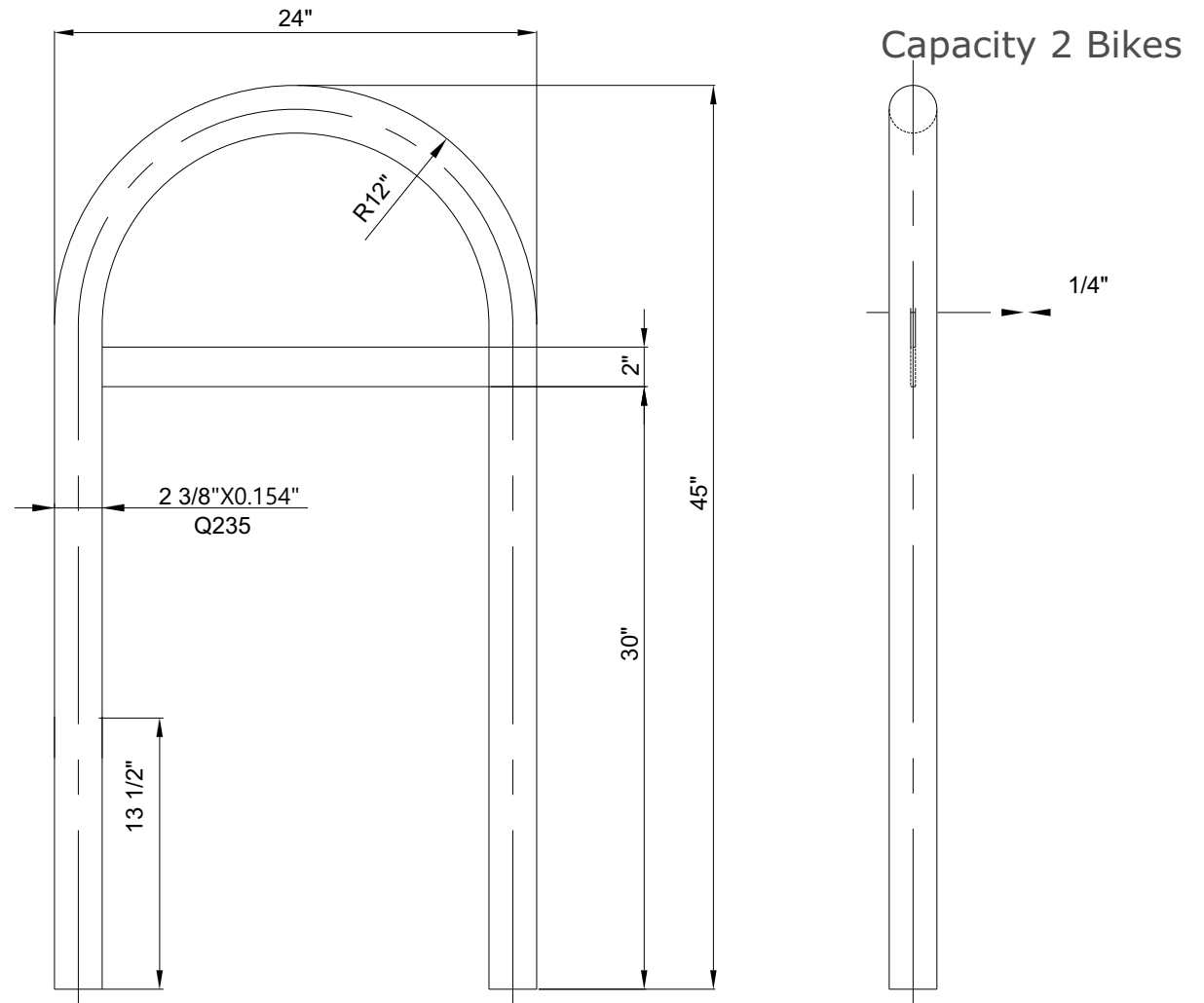
FINISHES

- Powder Coated
- Galvanized
- Stainless

SPACING REQUIREMENTS

For details and recommendations on clearance and aisle width please refer to our Bicycle Parking Guide and local regulations and guidelines.

KINETIC - Standard
Inverted U Rack Embedded
PRODUCT CODE: KP-Staple-EMB-X



Drawings are for informational purposes only. While correct at the time of design, Kinetic Parking Solutions, Inc. must confirm their accuracy prior to submission.