

## MATERIALS

Round Steel Pipe  
2 3/8" OD (Ø60.3 mm)  
Thickness: 0.154" (3.91 mm)  
Weight: 76.65 lbs. (34.8 kg)

## FINISHES

- Powder Coated
- Galvanized
- Stainless

## OPTIONAL

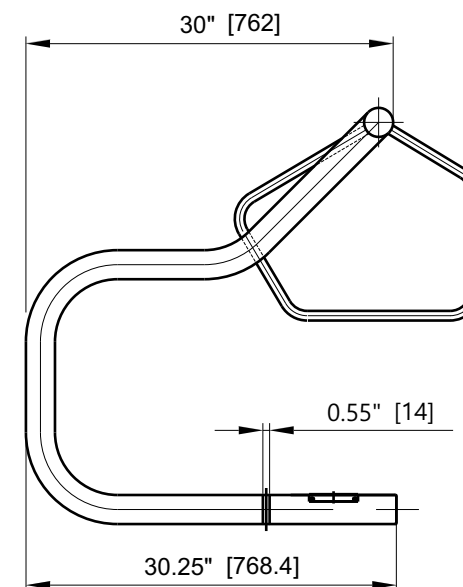
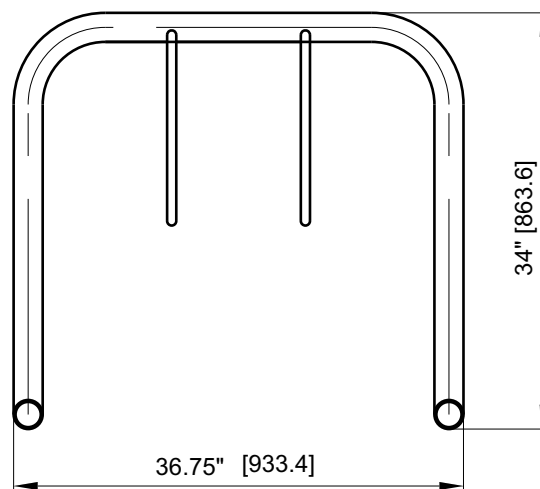
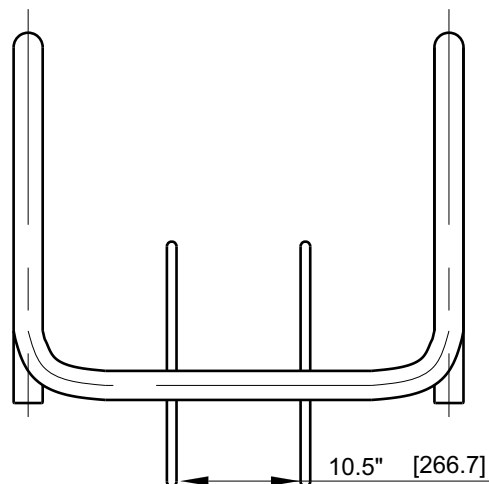
- Tamper-proof nuts

## SPACING REQUIREMENTS

For details and recommendations on clearance and aisle width please refer to our Bicycle Parking Guide and local regulations and guidelines.

KINETIC - Standard  
2X Standard Hanger Rack  
PRODUCT CODE: KP-STD-HangerX2

Capacity 3-5 Bikes



Drawings are for informational purposes only. While correct at the time of design, Kinetic Parking Solutions, Inc. must confirm their accuracy prior to submission.

## MATERIALS

Round Steel Pipe  
2 3/8" OD (Ø60.3 mm)  
Thickness: 0.154" (3.91 mm)  
Weight: 91.74 lbs. (41.65 kg)

## FINISHES

- Powder Coated
- Galvanized
- Stainless

## OPTIONAL

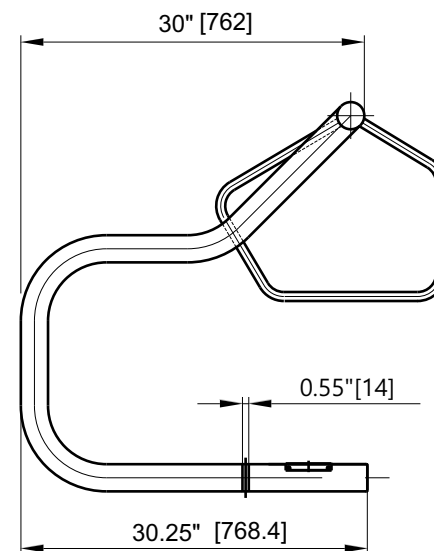
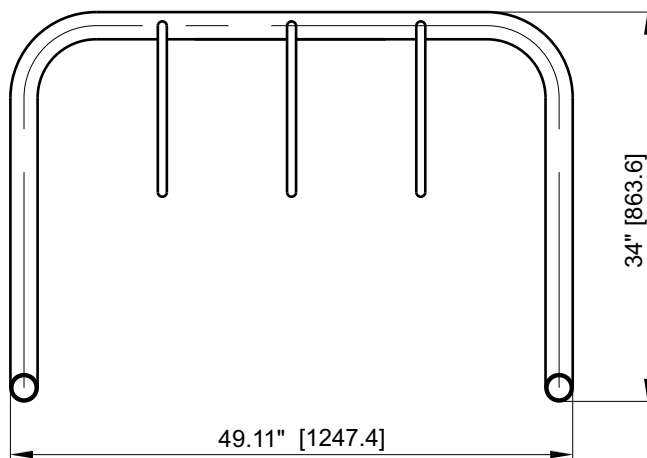
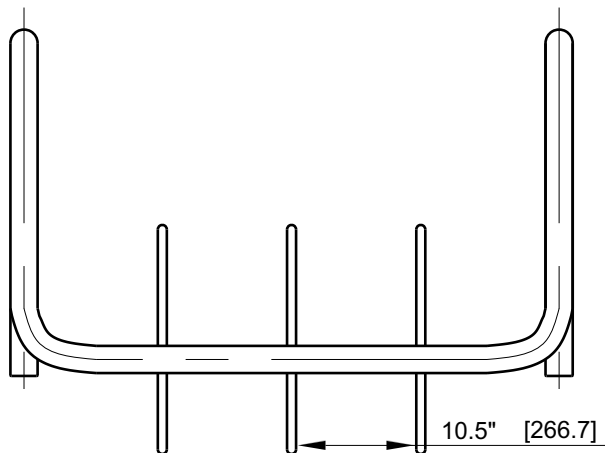
- Tamper-proof nuts

## SPACING REQUIREMENTS

For details and recommendations on clearance and aisle width please refer to our Bicycle Parking Guide and local regulations and guidelines.

KINETIC - Standard  
3X Standard Hanger Rack  
PRODUCT CODE: KP-STD-HangerX3

Capacity 4-6 Bikes



Drawings are for informational purposes only. While correct at the time of design, Kinetic Parking Solutions, Inc. must confirm their accuracy prior to submission.

## MATERIALS

Round Steel Pipe  
2 3/8" OD (Ø60.3 mm)  
Thickness: 0.154" (3.91 mm)  
Weight: 103.3 lbs. (46.9 kg)

## FINISHES

- Powder Coated
- Galvanized
- Stainless

## OPTIONAL

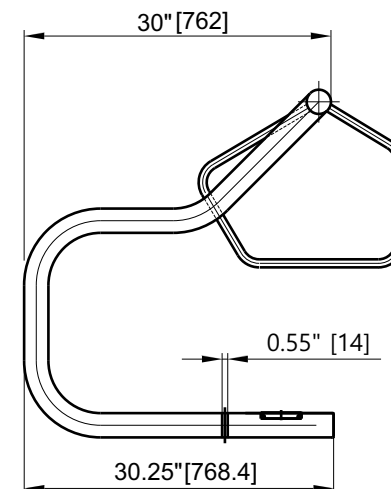
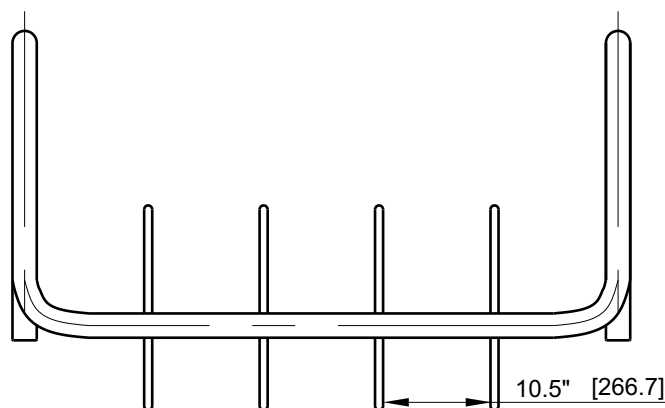
- Tamper-proof nuts

## SPACING REQUIREMENTS

For details and recommendations on clearance and aisle width please refer to our Bicycle Parking Guide and local regulations and guidelines.

KINETIC - Standard  
4X Standard Hanger Rack  
PRODUCT CODE: KP-STD-HangerX4

Capacity 5-7 Bikes



Drawings are for informational purposes only. While correct at the time of design, Kinetic Parking Solutions, Inc. must confirm their accuracy prior to submission.

Capacity 7-10 Bikes

### MATERIALS

Round Steel Pipe  
2 3/8" OD (Ø60.3 mm)  
Thickness: 0.154" (3.91 mm)  
Weight: 115.24 lbs. (52.32 kg)

### FINISHES

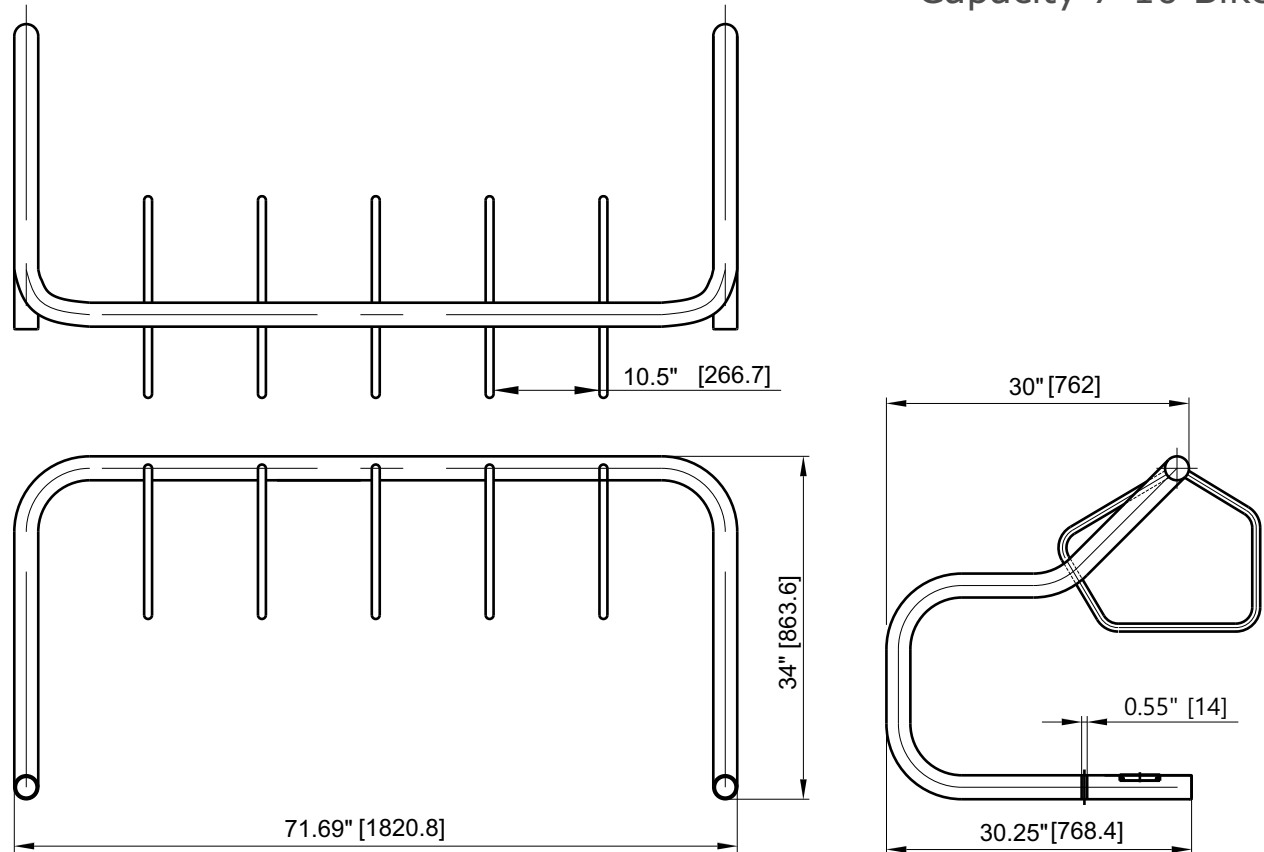
- Powder Coated
- Galvanized
- Stainless

### OPTIONAL

- Tamper-proof nuts

### SPACING REQUIREMENTS

For details and recommendations on clearance and aisle width please refer to our Bicycle Parking Guide and local regulations and guidelines.



Drawings are for informational purposes only. While correct at the time of design, Kinetic Parking Solutions, Inc. must confirm their accuracy prior to submission.