



# Parking Solutions Inc.

[solutions@kineticbikeparking.com](mailto:solutions@kineticbikeparking.com)

1-800-818-2373

## MATERIALS

Steel & Aluminum

Weight: 59.5lbs (27kg) per set

## FINISHES

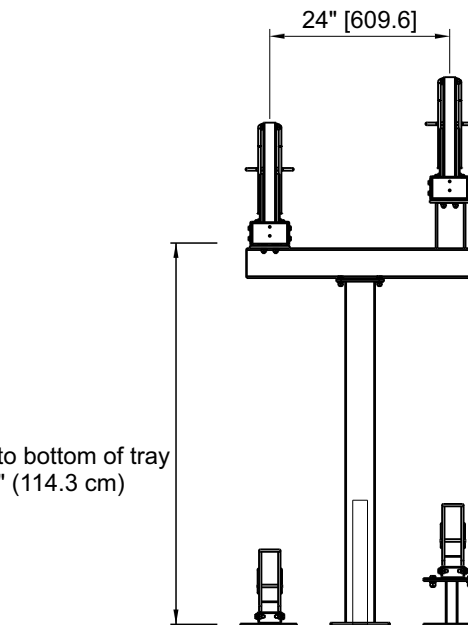
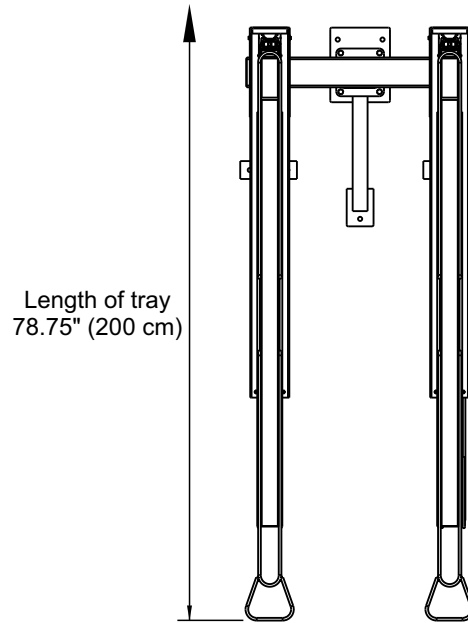
- Powder Coated
- Galvanized
- Stainless

## OPTIONAL

- Tamper proof nuts

## SPACING REQUIREMENTS

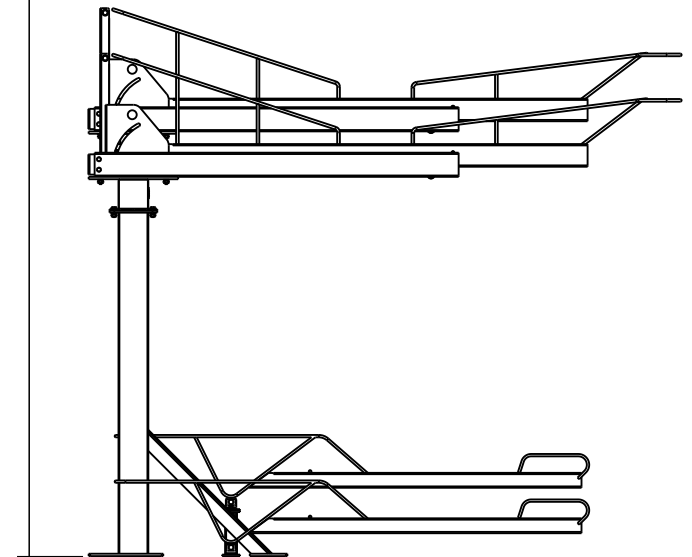
For recommendation and details on clearance and aisle width please refer to our Bicycle Parking Guide or your local ordinances and guidelines.



KINETIC - Standard  
DOUBLE LIFT  
PRODUCT CODE: KP-DLIFT-24

Capacity 4 Bikes per unit

Height Required including bike  
94" (238.75 cm)



Drawings are for information purposes only and while accurate at the time of creation, Kinetic Parking Solutions, Inc. must confirm its accuracy prior to submission.