



Parking Solutions Inc.

solutions@kineticbikeparking.com

1-800-818-2373

MATERIALS

Steel & Aluminum

Weight: 59.5lbs (27kg) per set

FINISHES

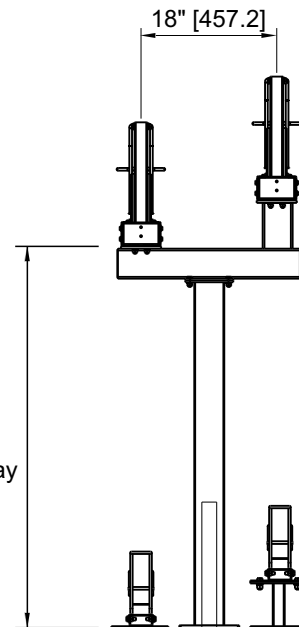
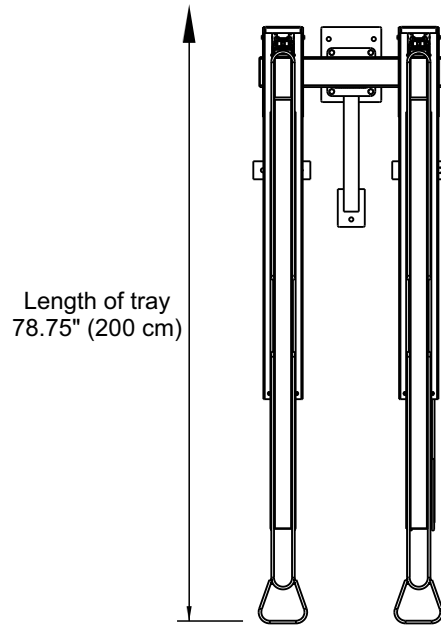
- Powder Coated
- Galvanized
- Stainless

OPTIONAL

- Tamper proof nuts

SPACING REQUIREMENTS

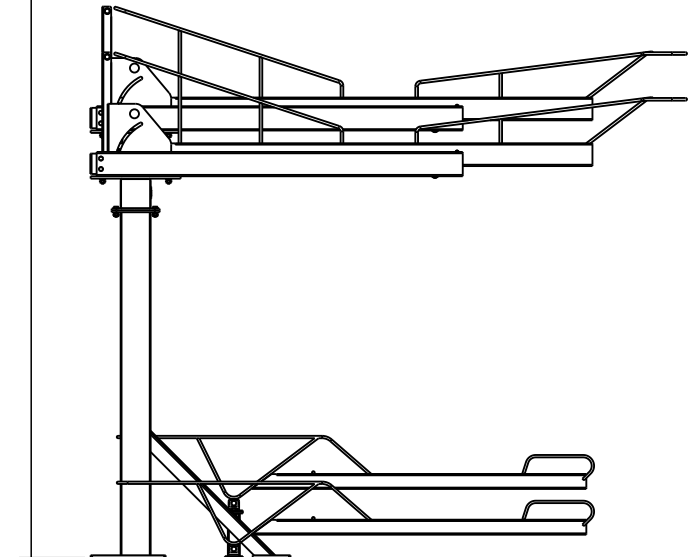
For recommendation and details on clearance and aisle width please refer to our Bicycle Parking Guide or your local ordinances and guidelines.



KINETIC - Standard
DOUBLE LIFT
PRODUCT CODE: KP-DLIFT-18

Capacity 4 Bikes per unit

Height Required including bike
94" (238.75 cm)



Drawings are for information purposes only and while accurate at the time of creation, Kinetic Parking Solutions, Inc. must confirm its accuracy prior to submission.